

Paradox SP728/ SP738

Wiring M2M's MiNi/MQ Series Cellular Communicators and Programming the Panel

CAUTION:

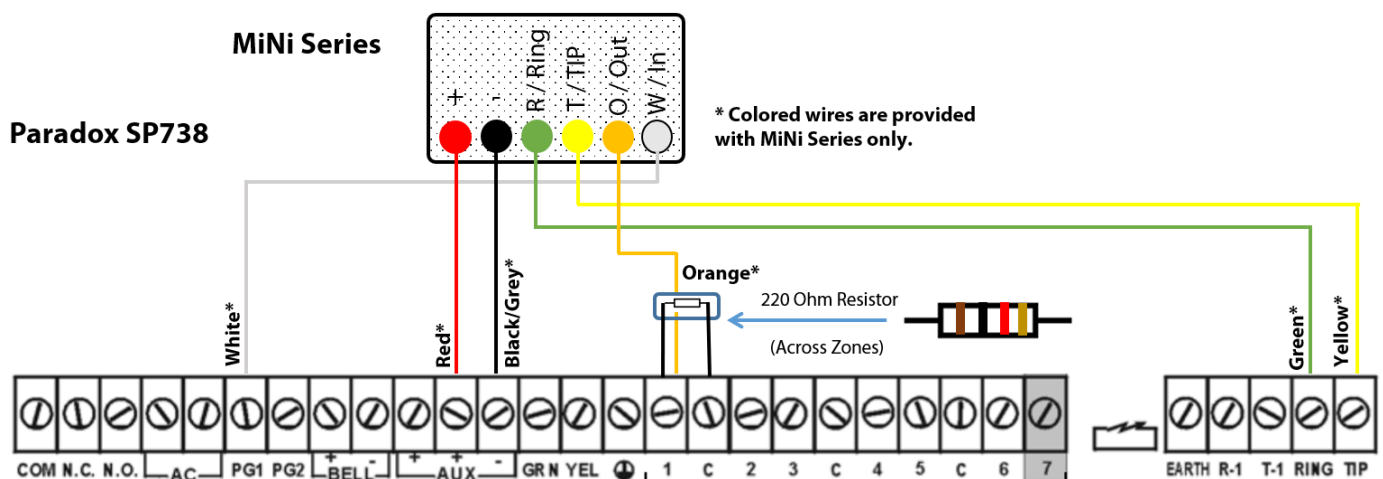
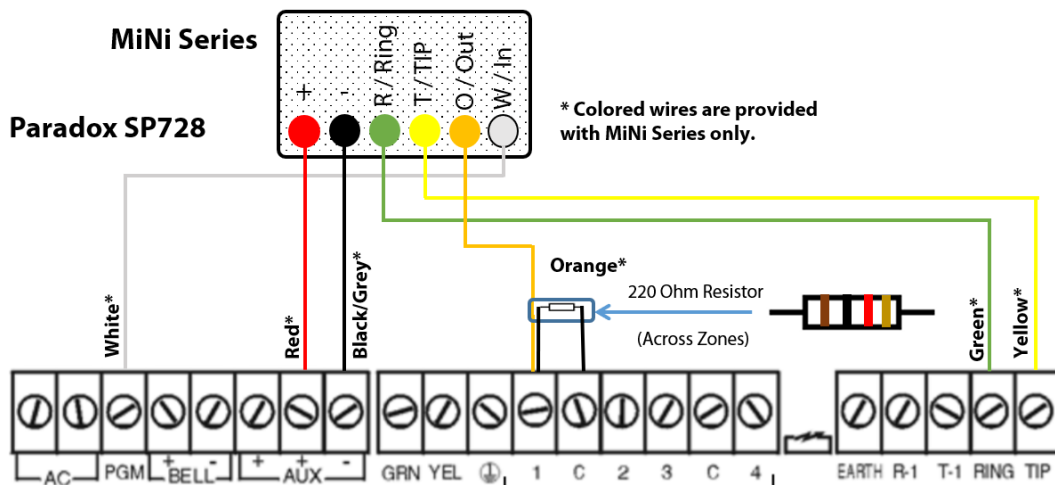
- It is advised that an experienced alarm installer programs the panel as further programming may be required to ensure proper performance and use of the full functionality.
- Do not route any wiring over circuit board.
- Full panel testing, and signal confirmation, must be completed by the installer.

NEW FEATURE: For MiNi/MQ Series Communicators, the status of the panel can be retrieved not only from the status PGM but now also from the Open/Close reports from the dialer. Therefore, wiring the white wire and programming of the status PGM of the panel is optional.

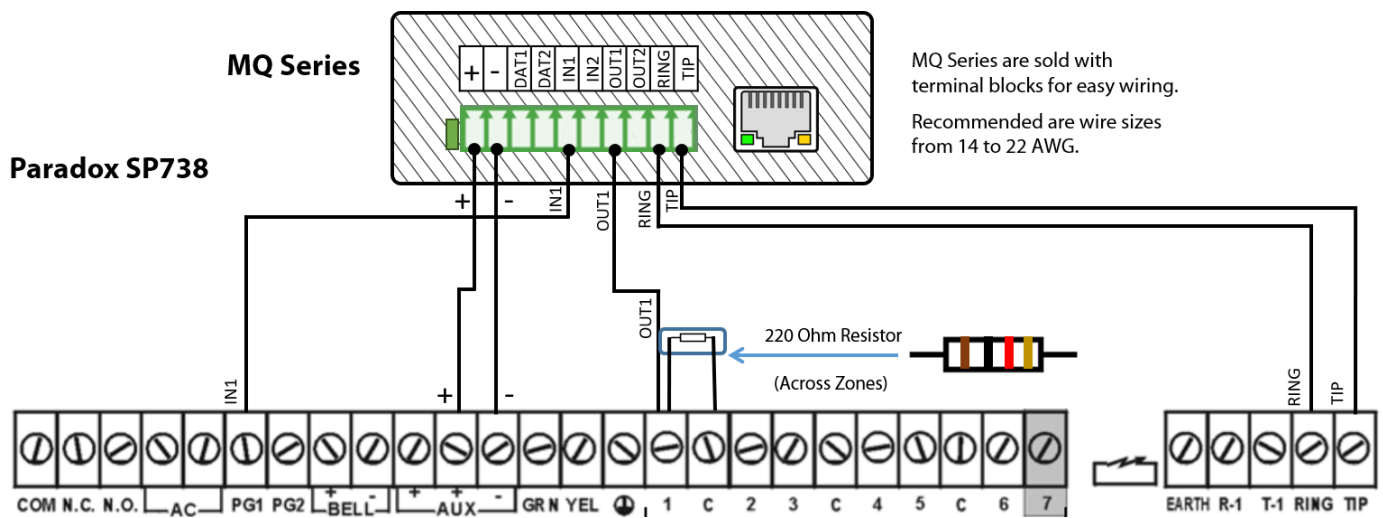
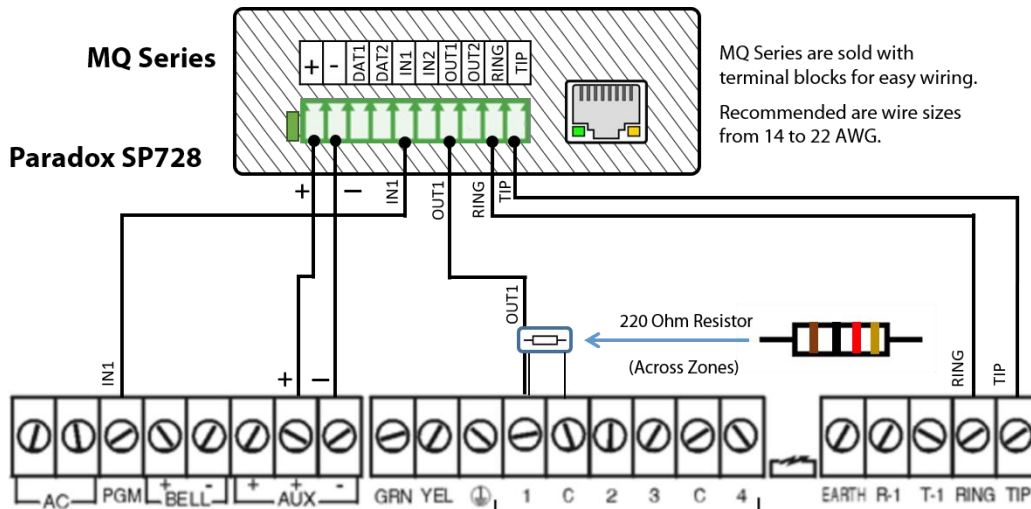
Wiring the white wire is necessary only if the Open/Close reporting is disabled.

IMPORTANT NOTE: The Open/Close reporting needs to be enabled during the initial pairing procedure.

Wiring the MiNi Series communicators to Paradox SP728/ SP738



Wiring the MQ Series communicators to Paradox SP728/ SP738



Programming the Paradox SP728/ SP738 Alarm Panel via the Keypad

Enable Contact ID reporting:

LED indication on Keypad	Keypad Entry	Action Description
"Ready" steady green	Enter, 282828	To enter programming mode (SP738 – 383838)
"Enter" flashing red	086	To go to Reporting options toggle menu
"Enter" steady red	2 nd , 1, 7, 11, 12	Press the respective buttons until 2 nd and 1 are OFF/DIM (TLM disabled), 7 – ON/LIT (to enable DTMF) and 11 – OFF/DIM, 12 – ON/LIT (Stay – off, Away – on)
"Enter" flashing red	Enter	To go back
"Enter" flashing red	088	To go to EOL toggle menu
"MEM" steady red	MEM, Enter	Press MEM button until it's OFF/DIM (all zones without sensors must be closed with resistors), Enter to go back
"Enter" flashing red	038	To go to Communication format
2 ND flashing red	0,0	To enable automatic codes Contact ID reporting for Phone 1 and 2
"Enter" flashing red	704	To go to Phone number input
"Enter" steady red	123456, Enter, Enter	To set the desired phone number (123456 is an example)
"Enter" flashing red	708	To go to account number menu
"Enter" steady red	1234, Enter, Enter	To set the desired account number (1234 is an example)
"Enter" flashing red	Enter	To exit programing mode

Enable keyswitch arm/disarm and status output:

LED indication on Keypad	Keypad Entry	Action Description
"Ready" steady green	Enter, 282828	To enter programming mode (SP738 – 383838)
"Enter" flashing red	086	To go to Reporting options toggle menu
"Enter" steady red	2, 3, Enter	Press the respective buttons until 2 is OFF/DIM (to enable Full Arming) and 3 – ON/LIT (to enable Momentary Keyswitch), Enter to go back
"Enter" flashing red	039	To go to PGM types menu
"Enter" steady red	2 nd , 2 nd	To enable normally open output (PGM)
"Enter" flashing red	040	To go to PGM1 1 st options menu
"Enter" steady red	29	To enable output when system is armed
"Enter" flashing red	042	To go to PGM1 3 rd options menu
"Enter" steady red	2 nd , 3	To enable output when system is armed
"Enter" steady red	Enter, Enter	To exit programming mode