

Paradox Digiplex EVO 192

Wiring M2M's MiNi/MQ Series Cellular Communicators and Programming the Panel

CAUTION:

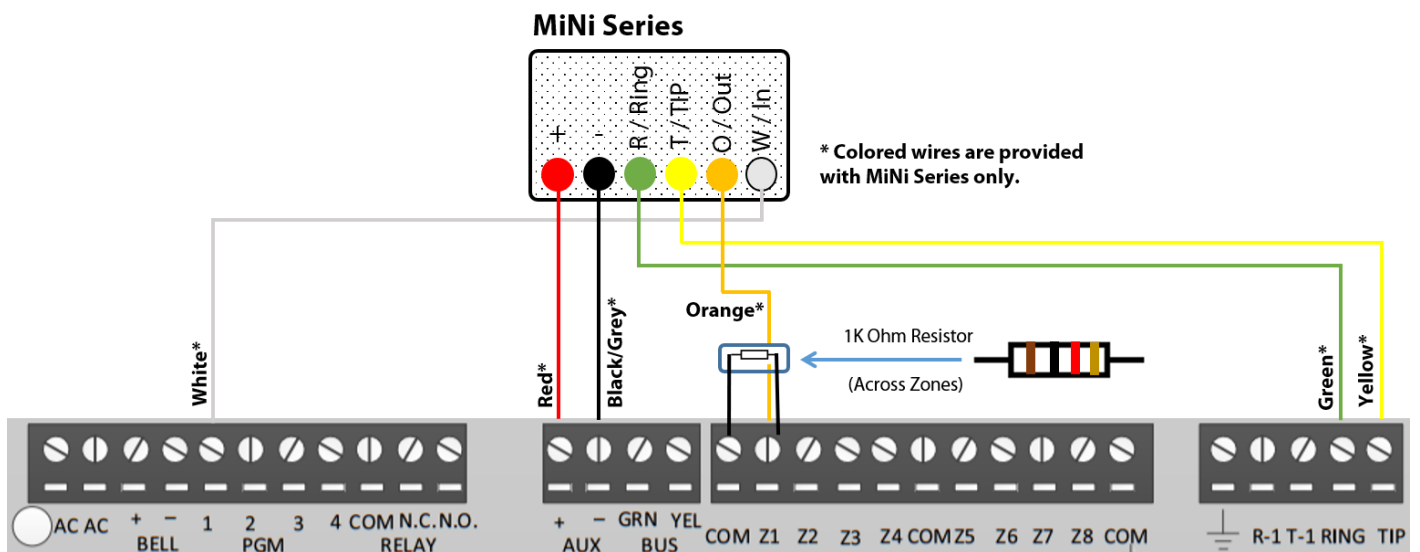
- It is advised that an experienced alarm installer programs the panel as further programming may be required to ensure proper performance and use of the full functionality.
- Do not route any wiring over circuit board.
- Full panel testing, and signal confirmation, must be completed by the installer.

NEW FEATURE: For MiNi/MQ Series Communicators, the status of the panel can be retrieved not only from the status PGM but now also from the Open/Close reports from the dialer. Therefore, wiring the white wire and programming of the status PGM of the panel is optional.

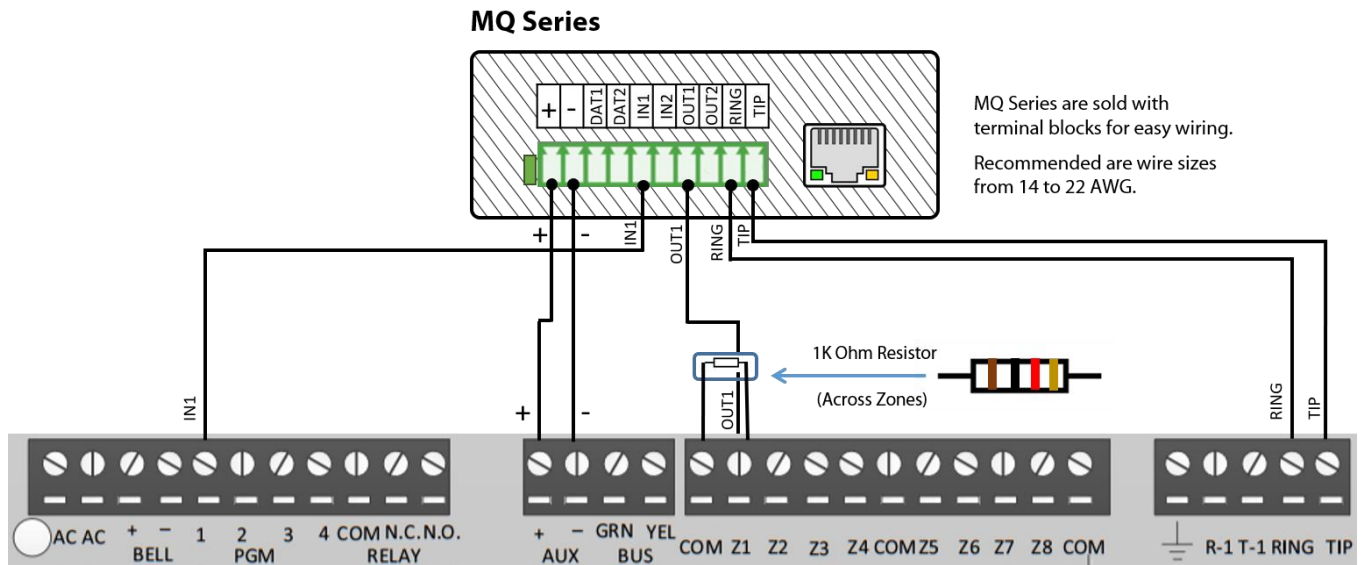
Wiring the white wire is necessary only if the Open/Close reporting is disabled.

IMPORTANT NOTE: The Open/Close reporting needs to be enabled during the initial pairing procedure.

Wiring the MiNi Series communicators to Paradox Digiplex EVO 192



Wiring the MQ Series communicators to Paradox Digiplex EVO 192



Programming the Paradox Digiplex EVO 192 Alarm Panel via the Keypad

Enable Contact ID reporting:

Display	Keypad Entry	Action Description
Date & Time	0, 000000	Hold 0 to go to Installer code, 000000 to go to Programming menu.
Section	3035	To go to System Options menu.
3035 Options	6, Enter	6 must be OFF (account number transition for partition number), Enter.
3036	1,2,	1 and 2 must be OFF – disable phone line monitoring.
	3,4	3 and 4 must be ON – (3 is dialer Enabled, 4 Dialer method – tone).
3037	Clear	To go to main menu.
Section	3061	To go to account number for Partition 1.
3061 Communicator	1234	Enter desired account number.
3062	Clear	To go to main menu.
Section	3070	To go to reporting formats.
3070 Communicator	5555	To select Ademco ContactID for all lines.
3071 Telephone	123456 Enter	Enter actual of imaginary phone number to report to, Enter to save.
3072 Telephone	Clear	To go to main menu.
Section	4031	To reset all reporting codes to FF (Default).
Section	Clear	Press Clear to exit programming mode.

Enable keyswitch arm/disarm and status output:

Display	Keypad Entry	Action Description
Date & Time	0, 000000	Hold 0 to go to Installer code, 000000 to go to Programming menu.
Section	0101	To go to zone parameters.
0101 Parameters	01, Enter	0 to choose disable zone type for Zone 1, 1 to Assign Zone 1 to Partition 1.
0102 Parameters	Clear, Clear	To go to main menu.
Section	0501	To go to keyswitch numbering.
0501 Serial/Input	8 digit No. 001	Type again the 8 digit serial number of the panel, 001 to select input 1.
0502 Serial/Input	Clear, Clear	To go to main menu.
Section	0601	To go to keyswitch parameters.
0601 Parameters	11, Enter, Clear	1 to assign keyswitch zone to partition 1, 1 to choose Momentary Keyswitch, Enter to save, Clear to go back to main menu.
Section	3033	To go to System Options 3.
3033 Options	7 on, 8 off, Enter, Clear	7 must be ON (EOL resistor on hardwired zones), 8 must be OFF (disable ATZ zone doubling), Enter to save, Clear, Clear to go back to main menu.
Section	0910	To go to PGM Activation programming.
0910 Timers	064	To select event group "Status 1".
0911 Timers	255	To select "Armed" for all zones.
0912 Timers	000	To disable PGM activation start timer.
0913 Timers	000	To disable PGM activation end timer.
0914 Timers	014	To disarm with user code.
0915 Timers	000	To select Feature Group.
0916 Timers	000	To disable PGM deactivation start timer.
0917 Timers	000	To disable PGM deactivation end timer.