

Honeywell Vista 128SIA

Wiring M2M's MiNi/MQ Series Cellular Communicators and Programming the Panel

CAUTION:

- It is advised that an experienced alarm installer programs the panel as further programming may be required to ensure proper performance and use of the full functionality.
- Do not route any wiring over circuit board.
- Full panel testing, and signal confirmation, must be completed by the installer.

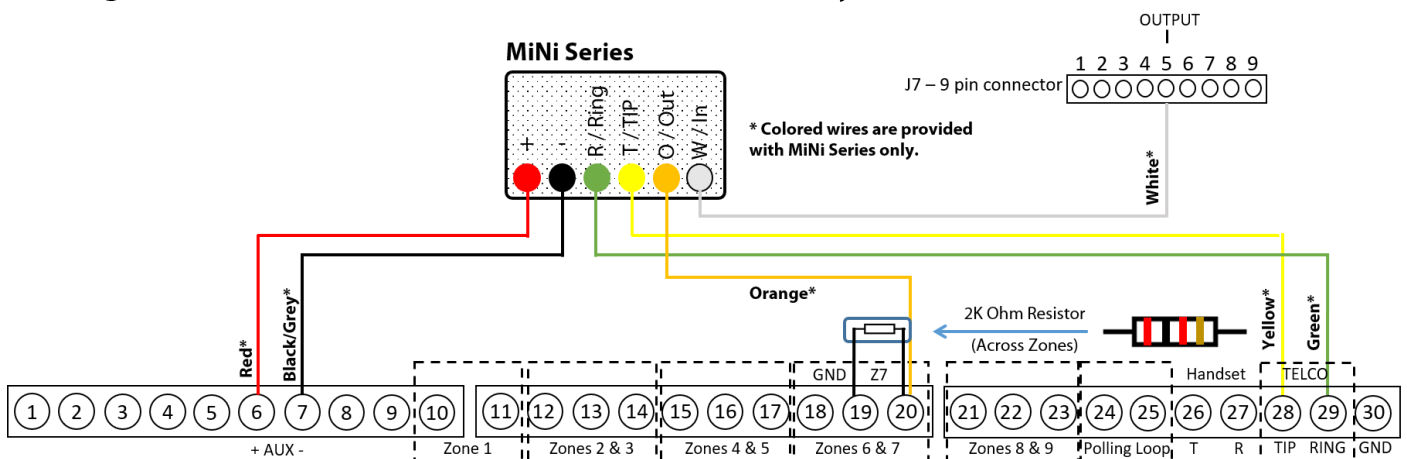
NEW FEATURE: For MiNi/MQ Series Communicators, the status of the panel can be retrieved not only from the status PGM but now also from the Open/Close reports from the dialer. Therefore, wiring the white wire and programming of the status PGM of the panel is optional.

Wiring the white wire is necessary only if the Open/Close reporting is disabled.

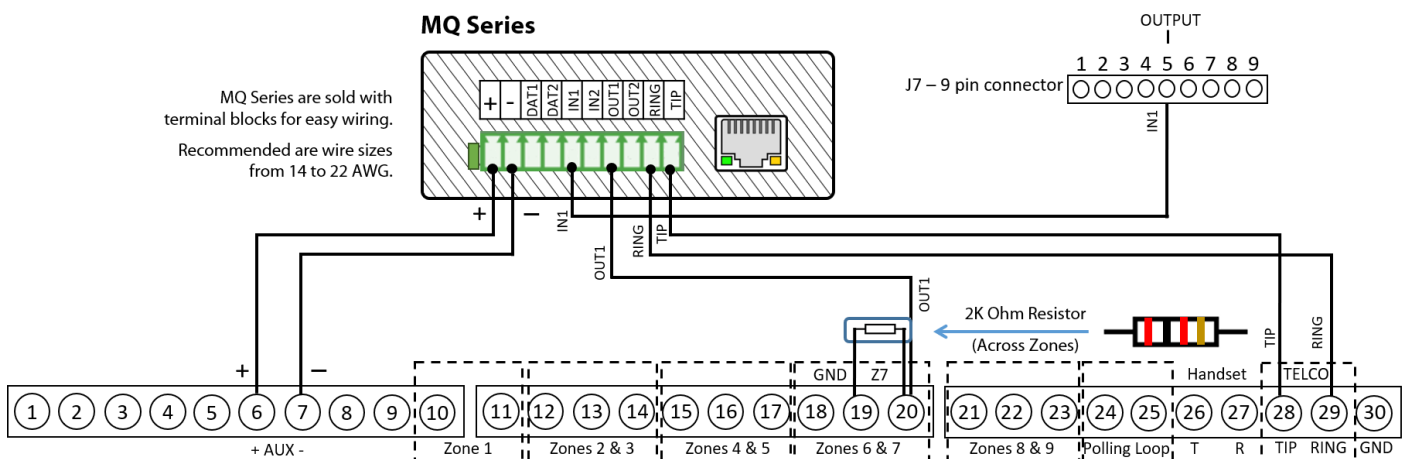
IMPORTANT NOTE: The Open/Close reporting needs to be enabled during the initial pairing procedure.

NOTE: We recommend connecting the Output (Orange wire of the MiNi Series) to Zone 7 (terminal 20), which is the default zone for the keyswitch.

Wiring the MiNi Series communicators to Honeywell Vista 128SIA



Wiring the MQ Series communicators to Honeywell Vista 128SIA



Programming the Honeywell Vista 50P Alarm Panel via the Keypad

Enable Contact ID reporting:

Keypad Display	Keypad Entry	Action Description
Disarmed	4140,8,000	To enter the Programming menu.
Program mode	*30	To go to dialer options.
Touch Tone	1	To set tone dialing.
PABX	*32	To go to primary subscriber account number.
Primary Subs. Acct	01,02,03,04	Enter the desired account number in HEX (01,02,03,04) 1234 is an example.
Primary phone	*33	To start configuring primary phone number.
Primary phone	123456*	Enter desired phone number, press * to exit.
Enter Fill Field	*45	To go to primary reporting format.
Primary format	1	To set Contact ID Reporting format.
Low speed format	*93	To go to Menu Mode Programming.
Zone Prog.	0,0,1,0,0,1	Press 0 until "Report code prog" is reached. Press 1 to enter this menu. Press 0 until "System Group 1" is reached. Press 1 to enter this menu.
CLOSE	01, **	To enable "Close" reporting and go to "Open"
OPEN	01*, #...0	To enable "Open" reporting Press # until "System Group #1" is reached. Press 0 to go to "System Group #2".
System Group #2	1	Press 1 to enter this menu.
STAY	01, *, ##	To enable "Stay" reporting and go back to "System Group #2" view.
System Group #2	0...1	Press 0 until "Quit Report Menu" is shown. Press 1 to quit.
Quit menu mode?	1	Press 1 to exit menu mode.
Program mode	*99	To exit Programming mode.

Program keyswitch zone and status output:

Keypad Display	Keypad Entry	Action Description
DISARMED	4140,8,000	Enter Programming mode.
Program mode	*15	To go to "Keyswitch assignment" section.
Keyswitch 1-2=Ptn	1	Activate keyswitch for partition 1.
Bell 1 Confirm	*40	Go to "Open/Close Reporting for keyswitch" section.
Open/Close Rep. For Keyswitch	1	Enable Open/Close reporting for keyswitch.
Superv.Pulses for LRR	*99 ...	Enter *99 as much as needed to exit programming (the display will show "DISARMED").